

TABLES

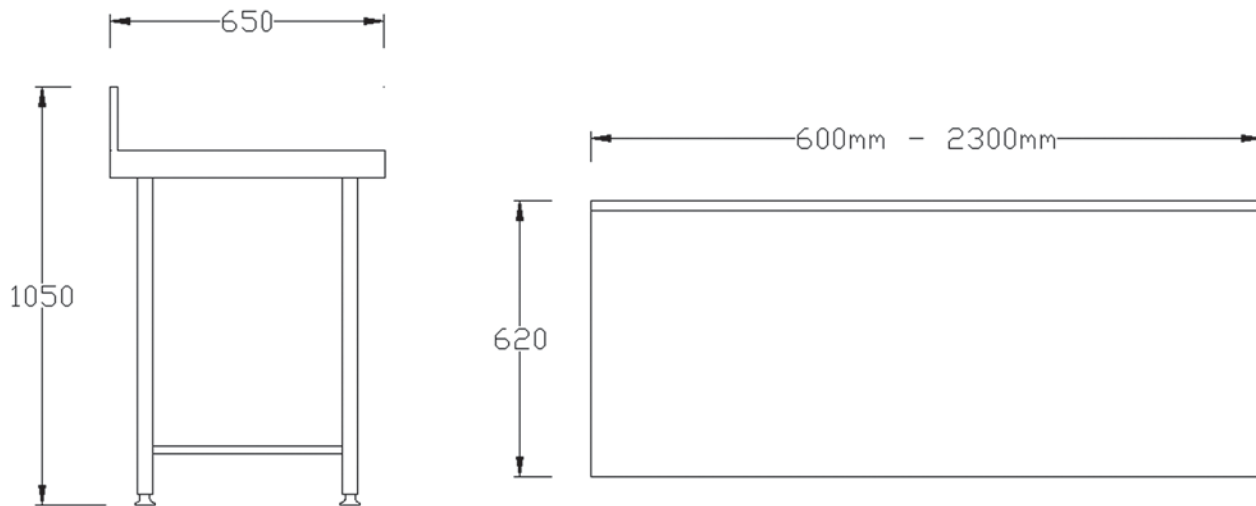
650-sb-Table

Features

1. **Top** - Manufactured from various grades of st/steel.
2. **Legs** - St/steel legs with adjustable foot piece for leveling purposes (see options).
3. **Undersheet** - Heavy duty backing sheet with sound deadening between top and undersheet.
4. **Splash back** - 150mm high splash back to rear.



Drawings



Specifications

Dimensions:	(600 x 650) to (2300 x 650)
Splash Back:	150mm high
Legs:	st/steel removable

Optional Extras

Table top can be manufactured from:	0.9mm 430 st/steel
	1.2mm 430 st/steel
	0.9mm 304 st/steel
	1.2mm 304 st/steel
1.2mm galvanised undershelf	
1.2mm st/steel undershelf	
Tubular st/steel pot shelf (diameter 25mm or 25mm square tubing)	
40mm square tubular legs or 40mm diameter tubing	
Splash back to right, left and rear	