

## SINKS

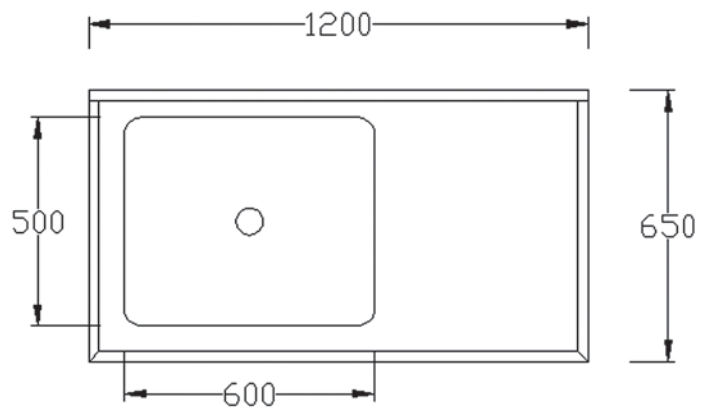
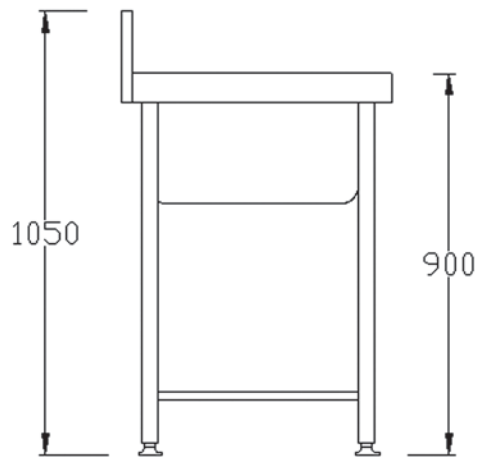
### 1200-s-Pot Sink

#### Features

- Bowl** - Manufactured from 1.2mm grade 304 st/steel, bowl can be positioned left, right or centre.
- Top** - Manufactured from various grades of st/steel.
- Splash back** - 150mm high splash back to rear.
- Legs** - Manufactured from st/steel with adjustable feet for easy leveling (see options).
- Drain** - Bowl comes with a 40mm waste outlet hole.



#### Drawings



#### Specifications

Dimensions: 1200(W) x 650(D) x 1050(H)  
 Bowl dimensions: 600(W) x 500(D) x 300(H)

#### Optional Extras

Tops can be manufactured from:  
 0.9mm 430 st/steel  
 1.2mm 430 st/steel  
 0.9mm 304 st/steel  
 1.2mm 304 st/steel

Tubular st/steel pot shelf (diameter 25mm or 25mm square tubing)

40mm square tubing or 40mm diameter tubing