

## TABLES

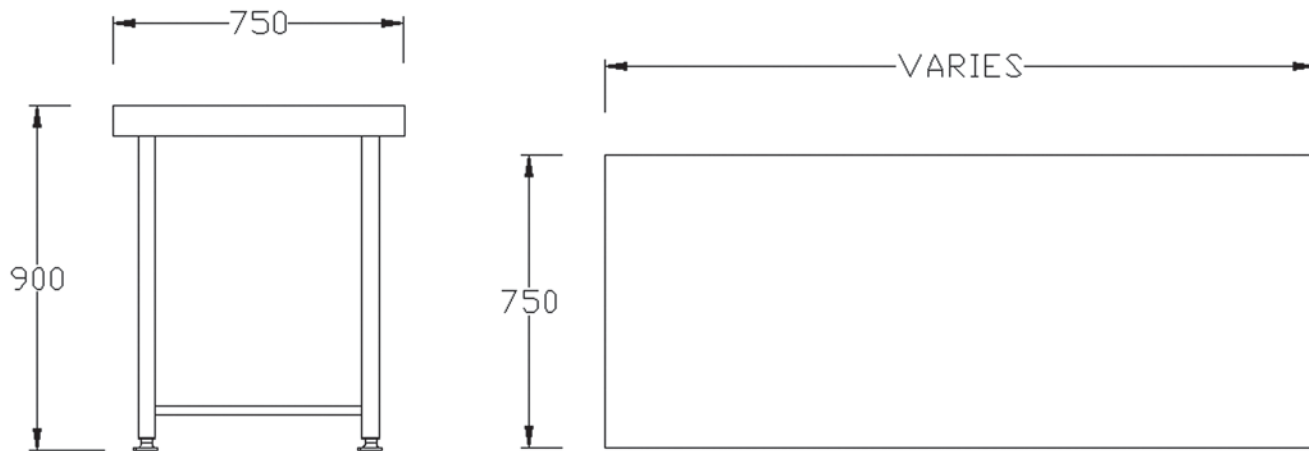
650-pt-Table

### Features

- 1. Top** - Manufactured from various grades of st/steel.
- 2. Legs** - St/steel legs with adjustable foot piece for leveling purposes (see options).
- 3. Undersheet** - Heavy duty backing sheet with sound deadening between top and undersheet.



### Drawings



### Specifications

Dimensions: (600 x 650) to (2300 x 650)  
Legs: st/steel removable

### Optional Extras

Table top can be manufactured from: 0.9mm 430 st/steel  
1.2mm 430 st/steel  
0.9mm 304 st/steel  
1.2mm 304 st/steel

1.2mm galvanised undershelf  
1.2mm st/steel undershelf  
Tubular st/steel pot shelf (diameter 25mm or 25mm square tubing)  
40mm square tubular legs or 40mm diameter tubing