

TABLES

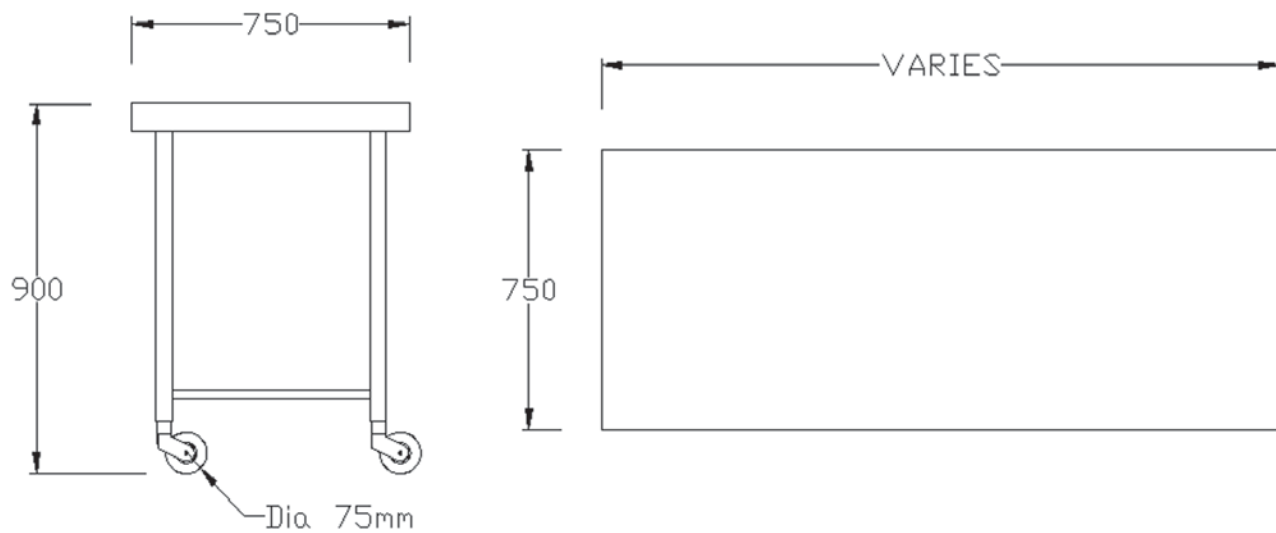
650-m-Table

Features

1. **Top** - Manufactured from various grades of st/steel.
2. **Legs** - Removable st/steel legs (see options).
3. **Undersheet** - Heavy duty backing sheet with sound deadening between top and undersheet.
4. **Casters** - Fitted to legs for easy movability.



Drawings



Specifications

Dimensions:	(600 x 750) to (2300 x 750)
Legs:	st/steel removable
Casters:	75mm diameter heavy duty casters

Optional Extras

Table top can be manufactured from:	0.9mm 430 st/steel
	1.2mm 430 st/steel
	0.9mm 304 st/steel
	1.2mm 304 st/steel
1.2mm galvanised undershelf	
1.2mm st/steel undershelf	
Tubular st/steel pot shelf (diameter 25mm or 25mm square tubing)	
40mm square tubular legs or 40mm diameter tubing	