

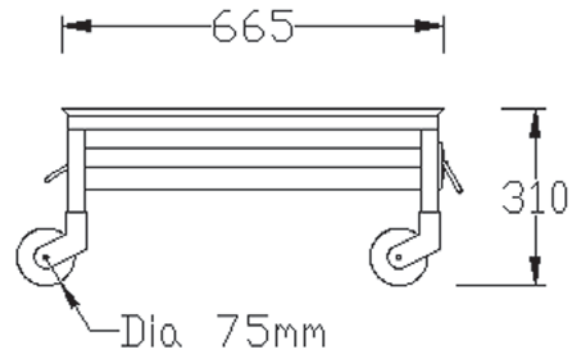
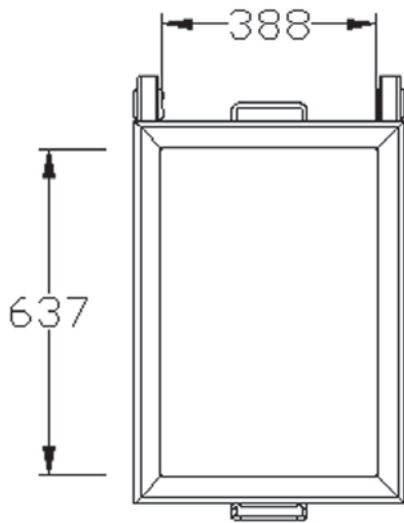
**TROLLIES**  
Blood Crate Trolley

**Features**

1. **Tray** - Manufactured from 1.2mm grade 304 st/steel.
2. **Frame** - Manufactured from 1.6mm grade 304 st/steel.
3. **Casters** - Fitted to make moving easier c/w brakes.



**Drawings**



**Specifications**

Dimensions: 470(W) x 665(D) x 310(H)  
Casters: 75mm diameter