

RISER SHELVES

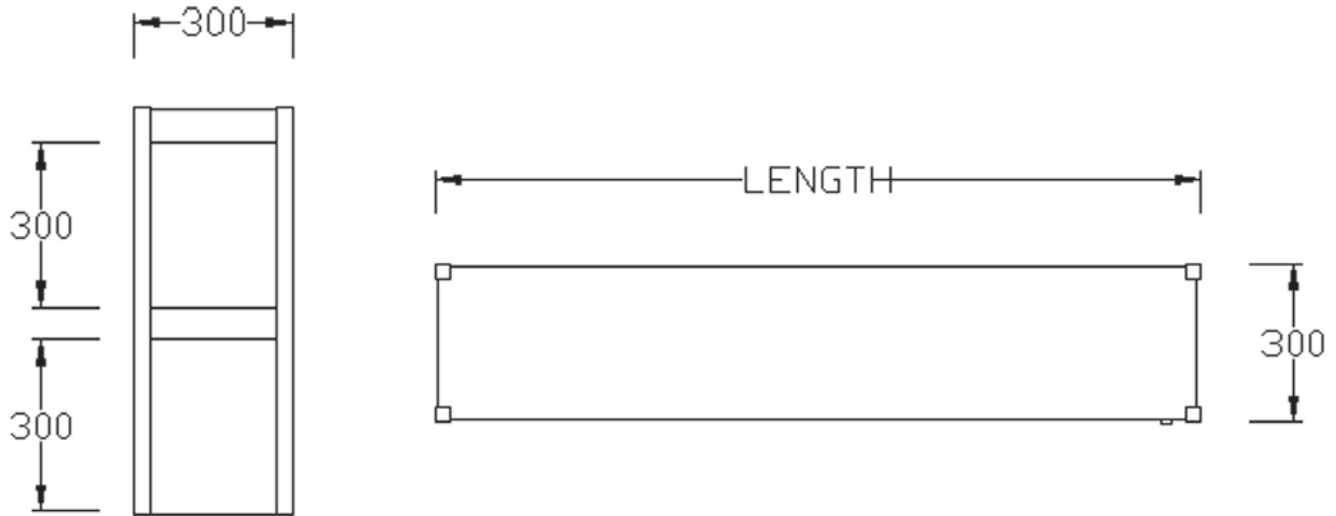
300-2t-Heated Riser

Features

1. **Body** - Base, top and sides are constructed from various grades of st/steel.
2. **Legs** - Manufactured from st/steel.



Drawings



Specifications

Dimensions: 850(W) x 300(D) x 720(H)
1200(W) x 300(D) x 720(H)
1500(W) x 300(D) x 720(H)
1850(W) x 300(D) x 720(H)

Electrical load: 1Kw, 220v, 1 phase, Neutral

Electrical connection: 2 meters (3 core) cable with fly leads

Optional Extras

Body can be manufactured from:
0.9mm 430 st/steel
1.2mm 430 st/steel
0.9mm 304 st/steel
1.2mm 304 st/steel

Single tier can be heated or both tiers can be heated

Special lengths can be made on request