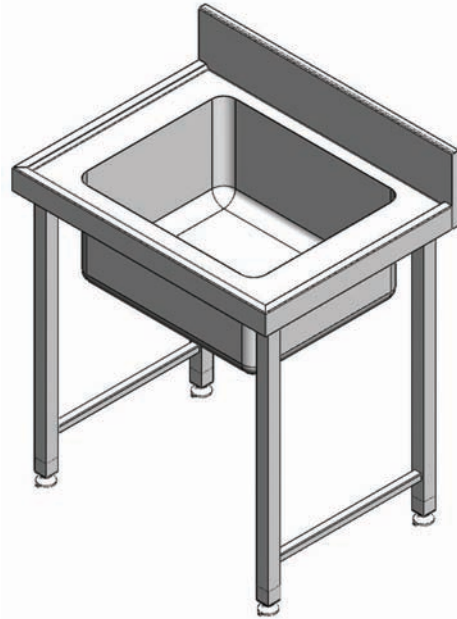


SINKS

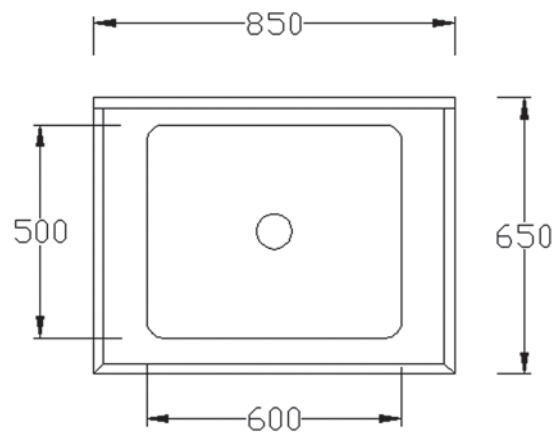
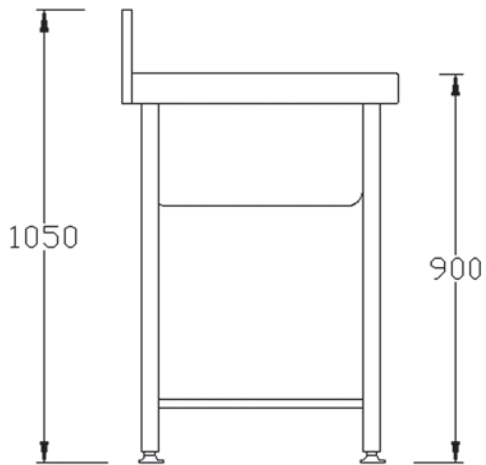
850-s-Pot Sink

Features

1. **Bowl** - Manufactured from 1.2mm grade 304 st/steel.
2. **Top** - Manufactured from various grades of st/steel.
3. **Splash back** - 150mm high splash back to rear.
4. **Legs** - Manufactured from st/steel with adjustable feet for easy leveling (see options).
5. **Drain** - Bowl comes with a 40mm waste outlet hole.



Drawings



Specifications

Dimensions: 850(W) x 650(D) x 1050(H)
 Bowl dimensions: 600(W) x 500(D) x 300(H)

Optional Extras

Tops can be manufactured from:
 0.9mm 430 st/steel
 1.2mm 430 st/steel
 0.9mm 304 st/steel
 1.2mm 304 st/steel

Tubular st/steel pot shelf (diameter 25mm or 25mm square tubing)

40mm square tubing or 40mm diameter tubing