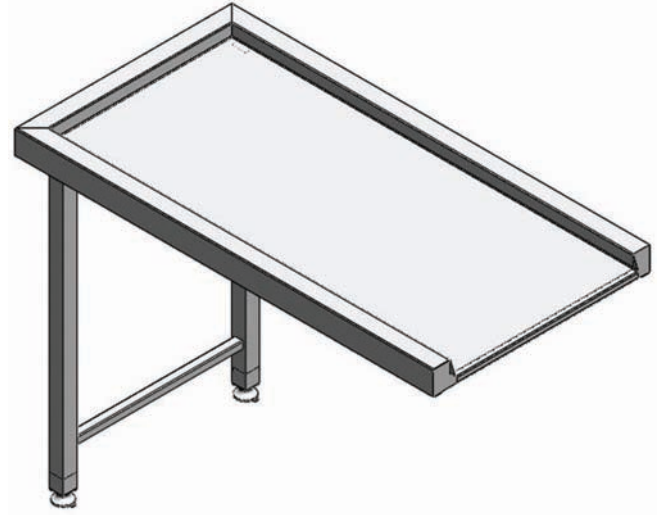


DISHWASHING TABLES

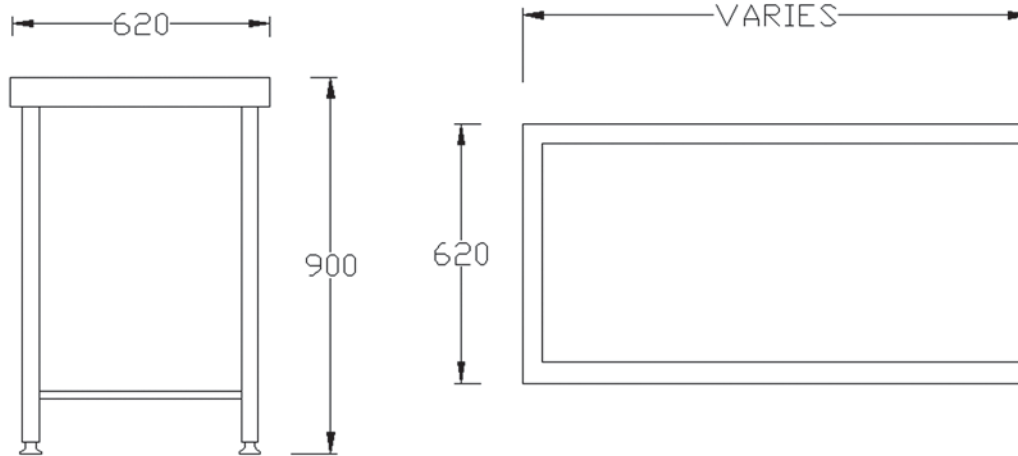
620-Outlet Table

Features

1. **Top** - Manufactured from various grades of st/steel.
2. **Legs** - Manufactured from st/steel (see options).
3. **Foot** - Adjustable feet are fitted for easy leveling.



Drawings



Specifications

Dimensions: Varies(W) X 620(D) X 900(H)

Optional Extras

Table top can be manufactured from:

- 1.2mm 430 st/steel
- 1.6mm 430 st/steel
- 1.2mm 304 st/steel
- 1.6mm 304 st/steel

Tubular st/steel basket runner (30 x 30 square tubing)

Two tier basket shelf or a st/steel runner below

Legs 40mm diameter tubing or 40mm square tubing