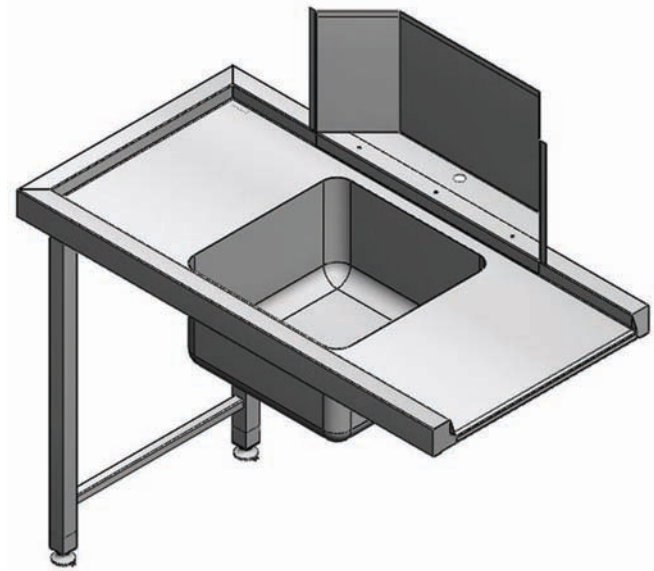


DISHWASHING TABLES

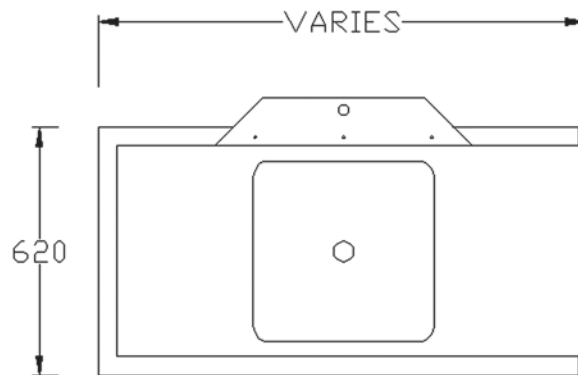
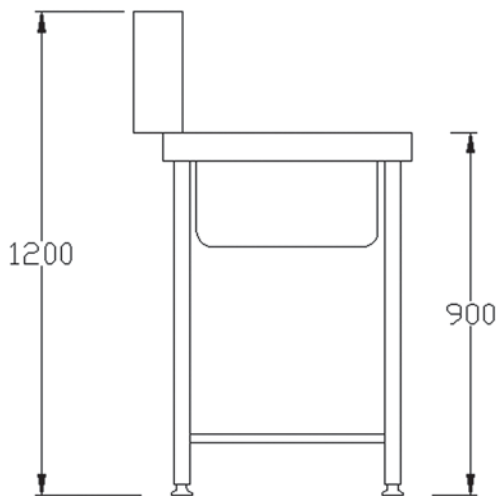
620-Inlet Table

Features

1. **Top** - Manufactured from various grades of st/steel.
2. **Legs** - Manufactured from st/steel (see options).
3. **Foot** - Adjustable feet are fitted for easy leveling.
4. **Bowl** - Manufactured from 1.2mm 304 st/steel.



Drawings



Specifications

Dimensions: Varies(W) X 620(D) X 900(H)
 Bowl: 450(W) x 450(D) x 250(H)

Optional Extras

Table top can be manufactured from: 1.2mm 430 st/steel
 1.6mm 430 st/steel
 1.2mm 304 st/steel
 1.6mm 304 st/steel

Tubular st/steel pot shelf (25mm square tubing or 25mm diameter tubing)

Legs 40mm diameter tubing or 40mm square tubing

Pre rinse spray