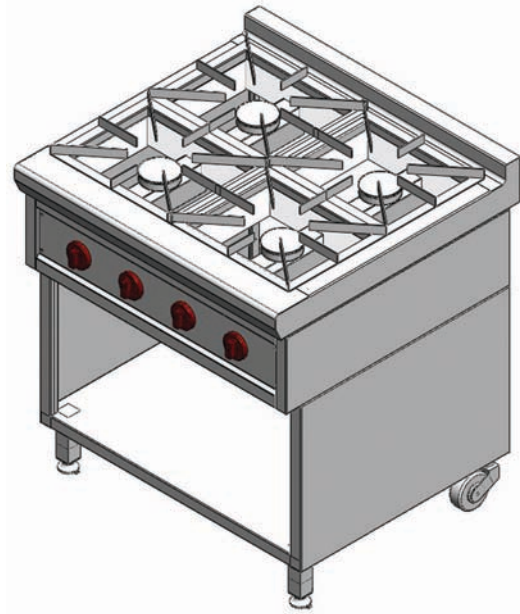


BOILING TABLES

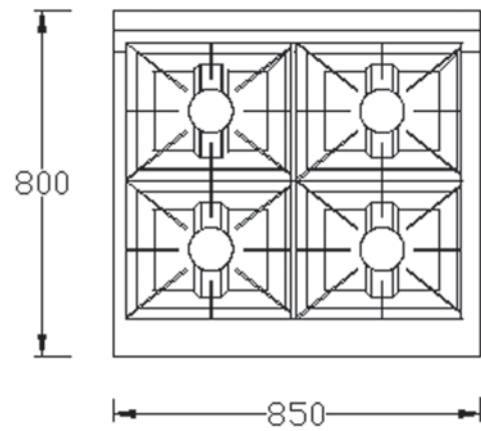
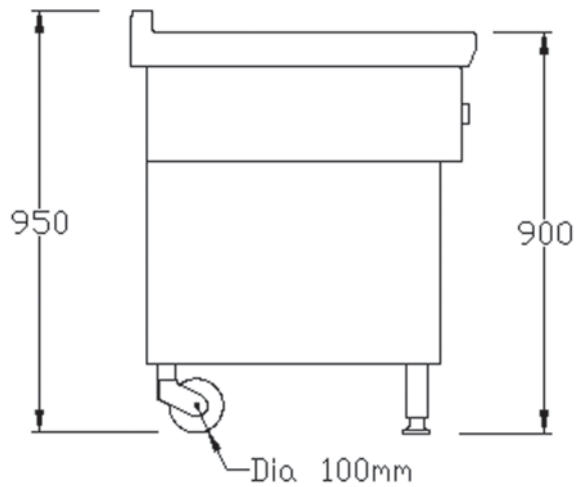
4 Burner Boiling Table

Features

1. **Top section** - Manufactured from 1.6mm 430 st/steel.
2. **Body** - Front and sides are constructed from 0.9mm grade 430 st/steel.
3. **Casters** - Fitted to rear for easy movement.
4. **Burners** - Burners are controlled with CE 0025AQ0608 rated gas valves. Burners have an adjustable minimum low level setting.



Drawings



Specifications

Dimensions: 850(W) x 800(D) x 950(H)
 Gas rating: 90 000 kJ/Hr
 Gas pressure: LPG 2.7 Kpa
 TG 6.735 Kpa

Optional Extras

Body and top section can be manufactured from: 304 st/steel