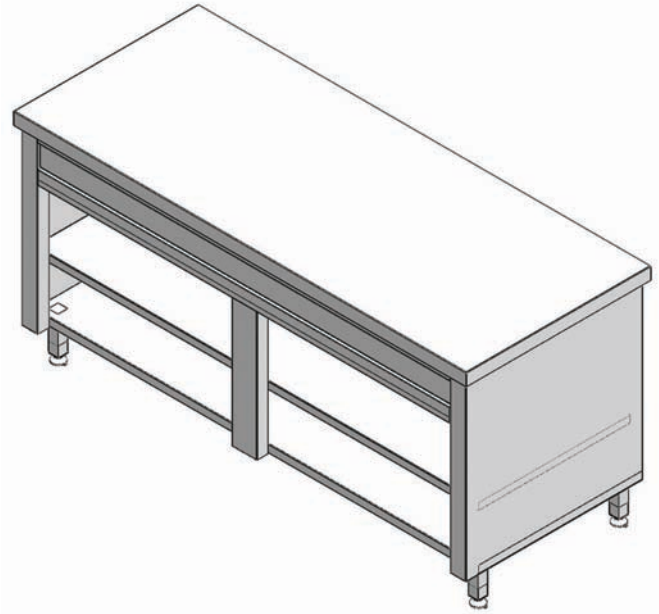


NEUTRAL COUNTERS

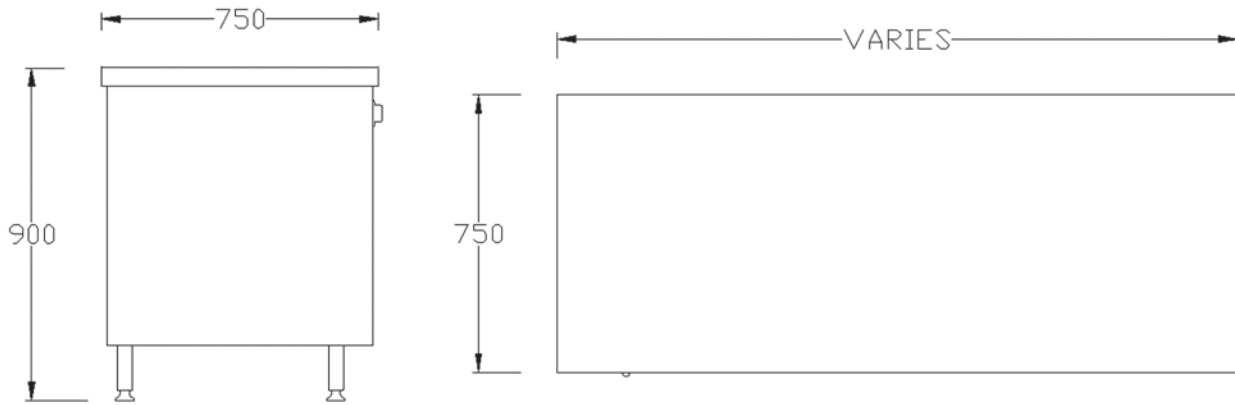
Neutral Counter-Unheated

Features

1. **Top** - 0.9mm 430 st/steel c/w 1.2mm galvanised backing plates.
2. **Body** - Manufactured from 0.9mm 430 st/steel.
3. **Shelves** - Manufactured from 0.9mm 430 st/steel.



Drawings



Specifications

Dimensions:
 1850(W) x 750(D) x 900(H)
 1500(W) x 750(D) x 900(H)
 1200(W) x 750(D) x 900(H)
 850(W) x 750(D) x 900(H)

Optional Extras

Tops can be manufactured from:
 1.2mm 430 st/steel
 0.9mm 304 st/steel
 1.2mm 304 st/steel

Doors

Tray slides