

## RADIANT GRILLS

1275-Radiant Grill / Lava Rock

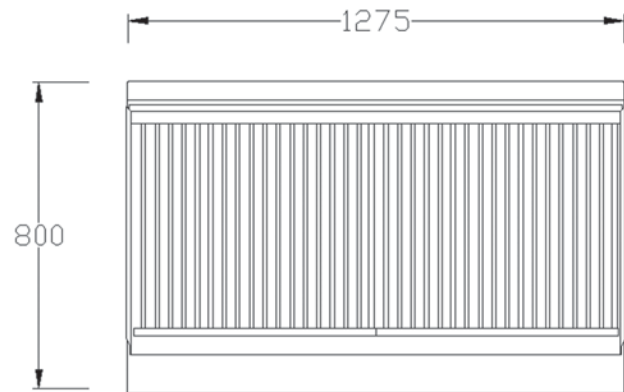
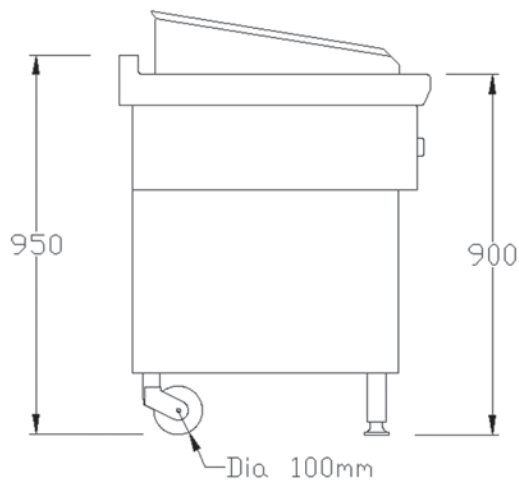
### Features

- 1. Top section** - Manufactured from 1.6mm 430 st/steel.
- 2. Splash guards** - 2mm st/steel splash guards.
- 3. Body** - Front and sides are constructed from 0.9mm grade 430 st/steel.
- 4. Burners** - Burners are controlled with CE 0025AQ0608 rated gas valves and have an adjustable minimum low level setting.

Burners easily removed for cleaning purposes.



### Drawings



### Specifications

Dimensions:	1275(W) x 800(D) x 950(H)
No. of burners:	10 burners
Gas rating:	177 000 kj/Hr
Gas pressure:	LPG 2.7 Kpa TG 6.735 Kpa
Gas connection:	20mm BSP

### Optional Extras

Body can be manufactured from:	304 st/steel
Front door to suite	
Cast iron grids or 10mm mild steel grids	
St/steel radiant reflective baffles or Lava Rock	