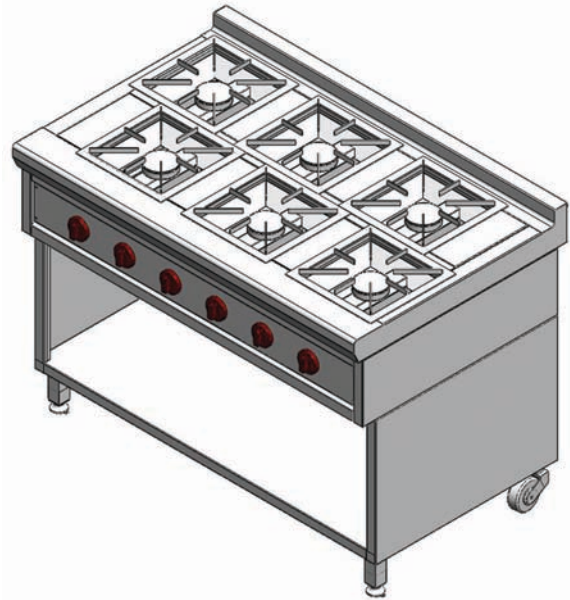


BOILING TABLES

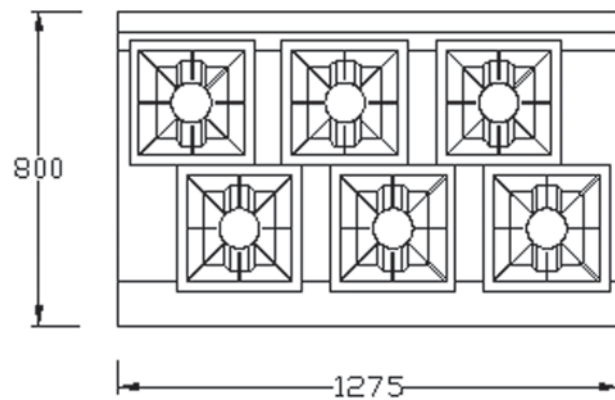
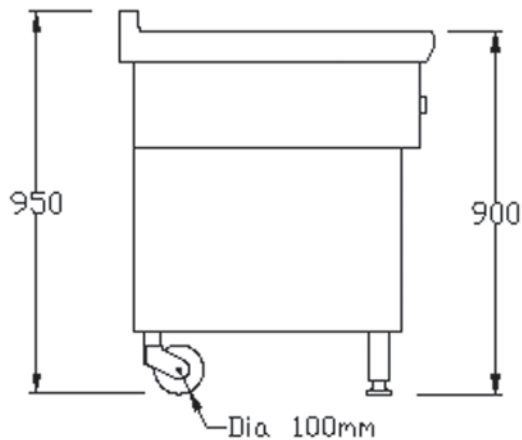
6 Burner Boiling Table

Features

1. **Top section** - Manufactured from 1.6mm 430 st/steel.
2. **Body** - Front and sides are constructed from 0.9mm grade 430 st/steel.
3. **Casters** - Fitted to rear for easy movement.
4. **Burners** - Burners are controlled with CE 0025AQ0608 rated gas valves. Burners have an adjustable minimum low level setting.



Drawings



Specifications

| | |
|---------------|-----------------------------|
| Dimensions: | 1275(W) x 800(D) x 950(H) |
| Gas rating: | 135 000 kJ/Hr |
| Gas pressure: | LPG 2.7 Kpa TG 6.735 Kpa |

Optional Extras

Body and top section can be manufactured from: 304 st/steel